

4

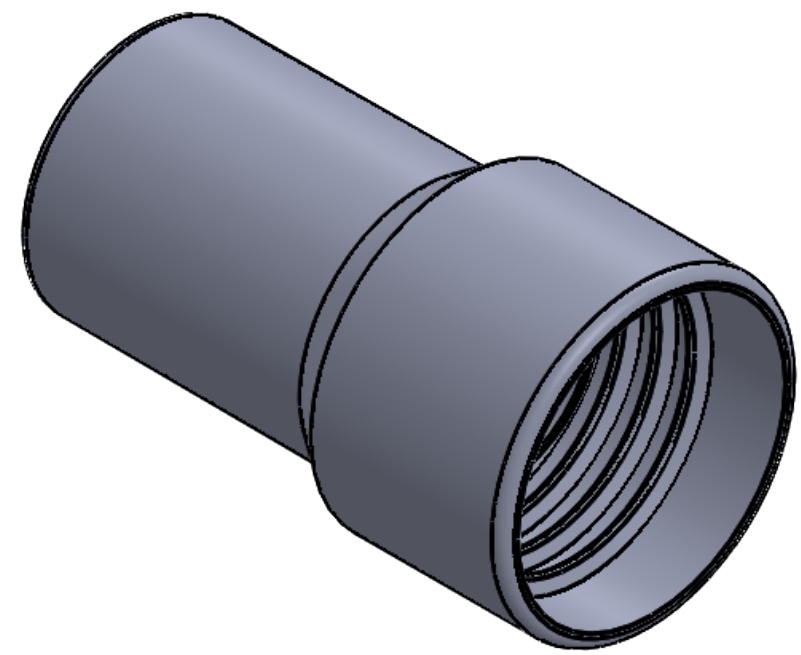
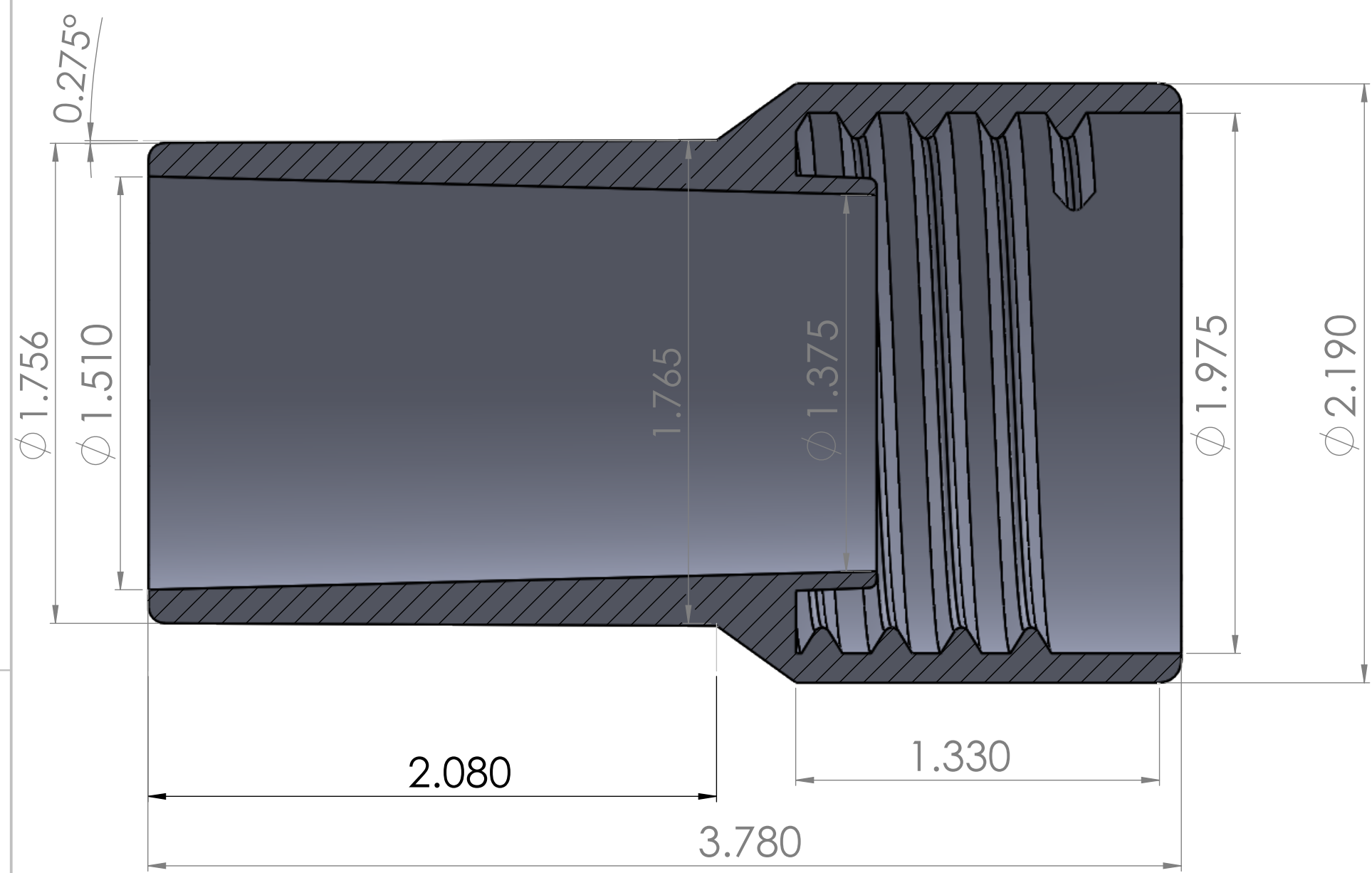
3

2

1

B

B



A

A



PROPRIETARY AND CONFIDENTIAL
 THE INFORMATION CONTAINED IN THIS DRAWING IS THE SOLE PROPERTY OF AMFLEX PLASTICS. ANY REPRODUCTION IN PART OR AS A WHOLE WITHOUT THE WRITTEN PERMISSION OF AMFLEX PLASTICS IS PROHIBITED.

		UNLESS OTHERWISE SPECIFIED:		NAME	DATE	AMFLEX PLASTICS INC	
		DIMENSIONS ARE IN INCHES		DRAWN	Alejo	04/25/19	TITLE: 1 1/2" VINYL CUFF (Threaded)
		TOLERANCES:		CHECKED			
		FRACTIONAL ±		ENG APPR.			
		ANGULAR: MACH ± BEND ±		MFG APPR.			
		TWO PLACE DECIMAL ±		Q.A.			SIZE DWG. NO. REV
		THREE PLACE DECIMAL ±		COMMENTS:			
		INTERPRET GEOMETRIC TOLERANCING PER:					
		MATERIAL					
		FINISH					
NEXT ASSY	USED ON	APPLICATION		DO NOT SCALE DRAWING			

2

1